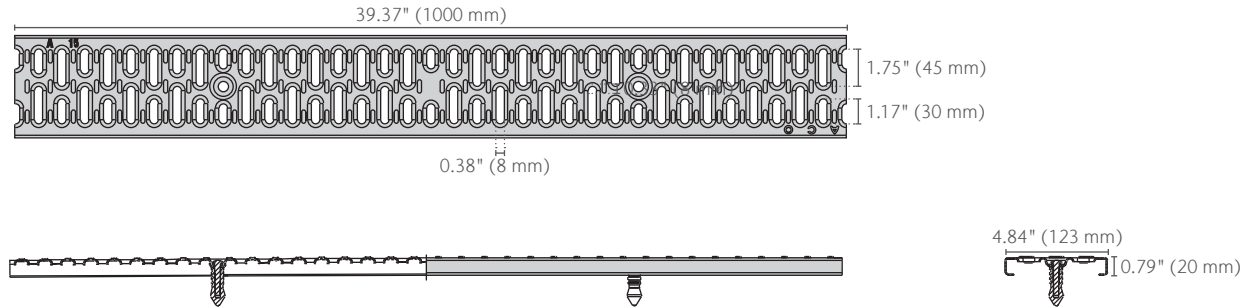


Sport Slotted Galvanized Steel Grate



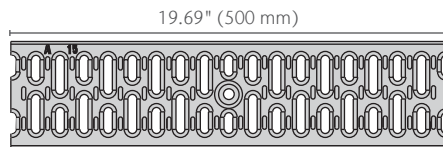
Slotted Galvanized Steel Grate - (1000 mm)

part no. 31530



Slotted Galvanized Steel Grate - (500 mm)

part no. 31531



Product Name	Part No.	Length in (mm)	Width in (mm)	Weight lbs
Slotted Galvanized Steel Grate - (1000 mm)	31530	39.37 (1000)	4.84 (123)	5.9
Slotted Galvanized Steel Grate - (500 mm)	31531	19.69 (500)	4.84 (123)	3.0
QuickLok® Locking Bar	02899	-	-	0.2
QuickLok® Grate Removal Hook	01319	-	-	0.6

Sport Slotted Galvanized Steel Grate

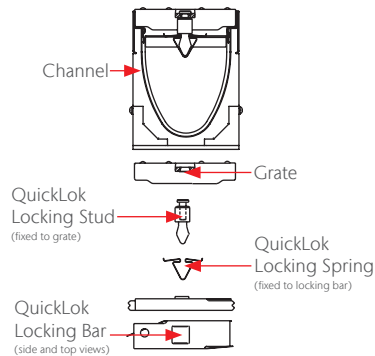


QuickLok® Locking Mechanism

ACO QuickLok is a patented boltless locking system. Grates are removed and replaced with the minimum time and effort for ease of maintenance.

The unique design of ACO QuickLok includes a locking stud fixed into the grate which clips into a locking bar.

The QuickLok locking stud is made from stainless steel and high-density nylon. The locking bar and locking spring are stainless steel for use in both general purpose and corrosive environments.



Specification Summary

General

The surface drainage system shall be ACO Sport System 4000 or System 6100 channels complete with ACO slotted galvanized steel grate with Quicklok locking as manufactured by ACO, Inc. or similar approved.

Installation


The trench drain system and grates shall be installed in accordance with the manufacturer's installation instructions and recommendations.


Materials

The covers shall be manufactured from galvanized steel and have minimum properties as follows:

- 16 gage galvanized steel
- Intake area of 17.6 in² (113.5 cm²) per half meter of grate

The overall width of 4.84" (123 mm) and overall length of 39.37" (1000 mm) and 19.69" (500 mm). Slots measure 1.75" (45 mm) by 0.38" (10 mm) and 1.17" (30 mm) by 0.38" (10 mm).

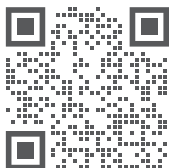
 ADA-compliant per The Americans with Disabilities Act of 2010, Section 302.3

 EN1433 Load Class A
3,372 lbs – 70 psi

ACO, Inc.

© January 2026 ACO, Inc.

All reasonable care has been taken in compiling the information in this document. All recommendations and suggestions on the use of ACO products are made without guarantee since the conditions of use are beyond the control of the company. It is the customer's responsibility to ensure that each product is fit for its intended purpose and that the actual conditions of use are suitable. ACO, Inc. reserves the right to change products and specifications without notice.



info@acousa.com
www.acousa.com

